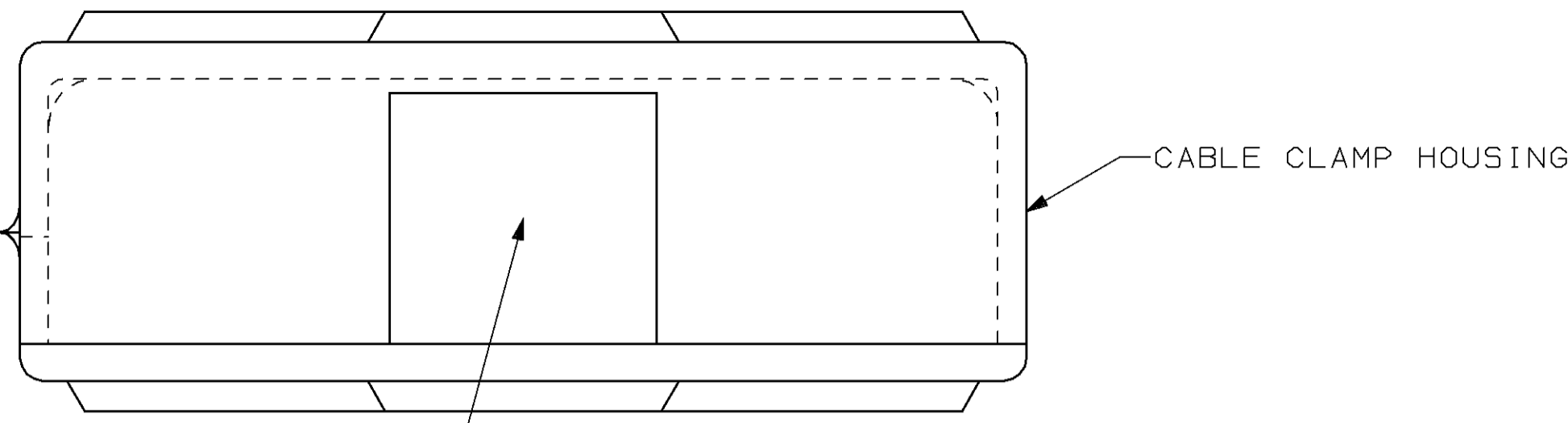
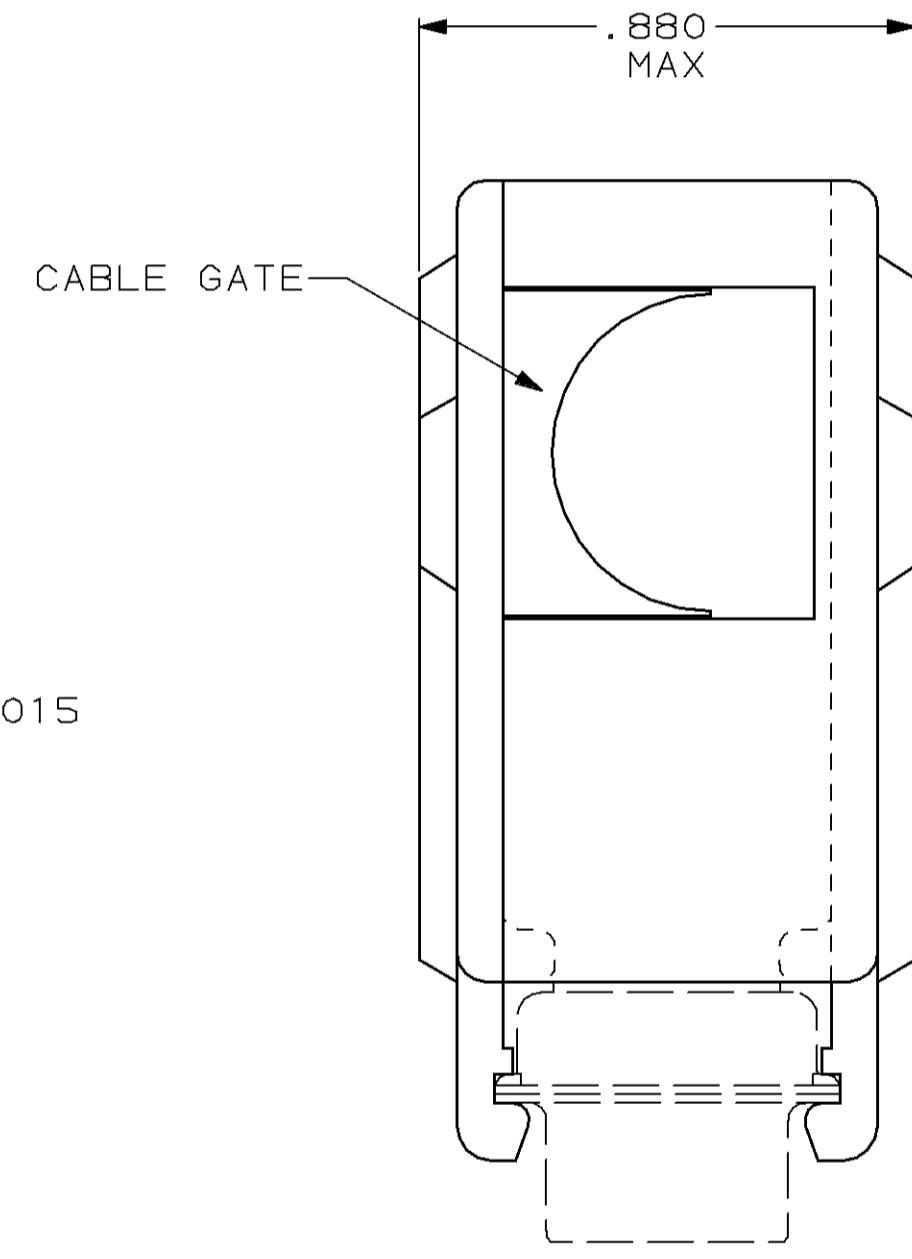
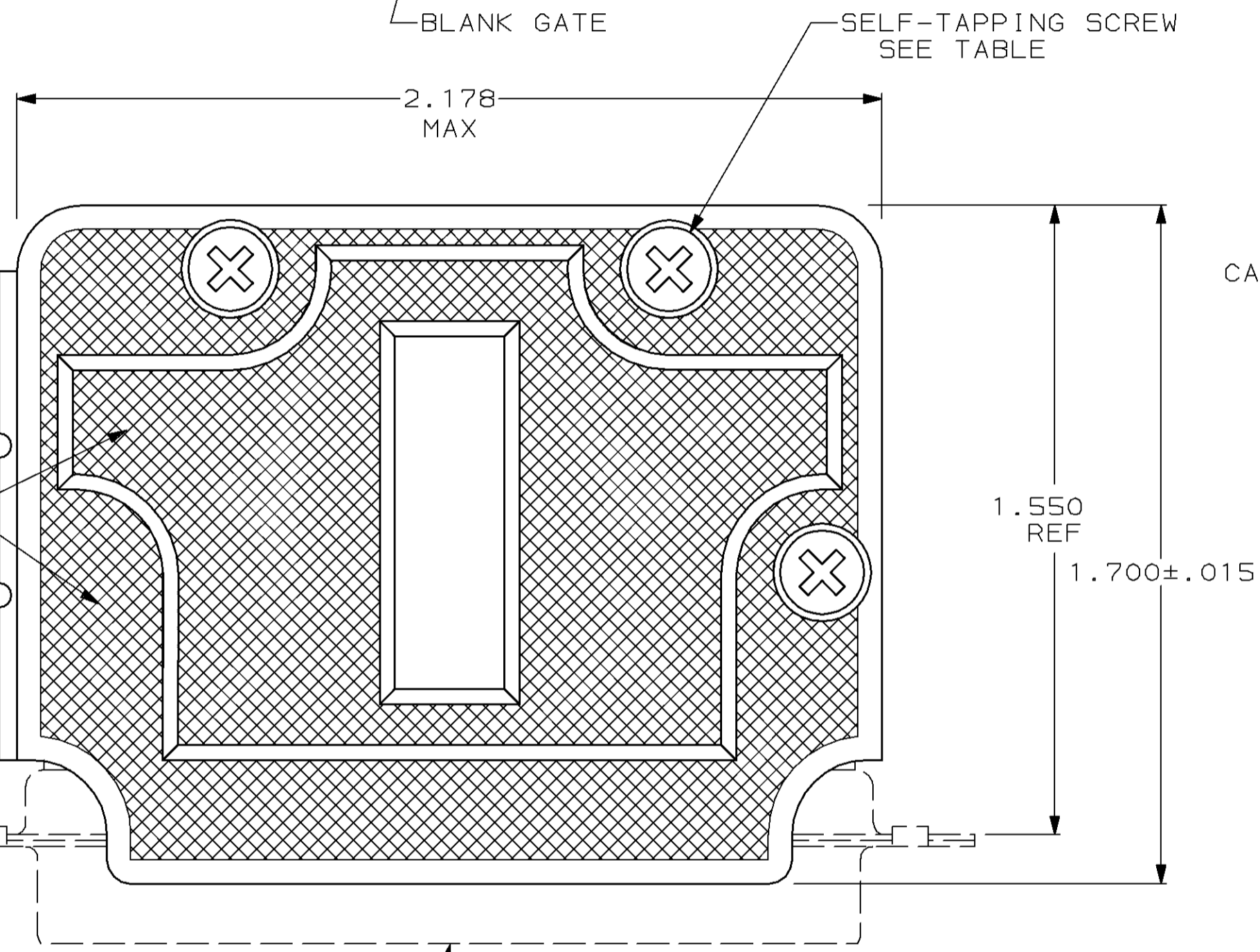


THIS DRAWING IS UNPUBLISHED. RELEASED FOR PUBLICATION, 19  
 © COPYRIGHT 19 BY AMP INCORPORATED, HARRISBURG, PA. ALL INTERNATIONAL RIGHTS RESERVED. AMP PRODUCTS MAY BE COVERED BY U.S. AND FOREIGN PATENTS AND/OR PATENTS PENDING.

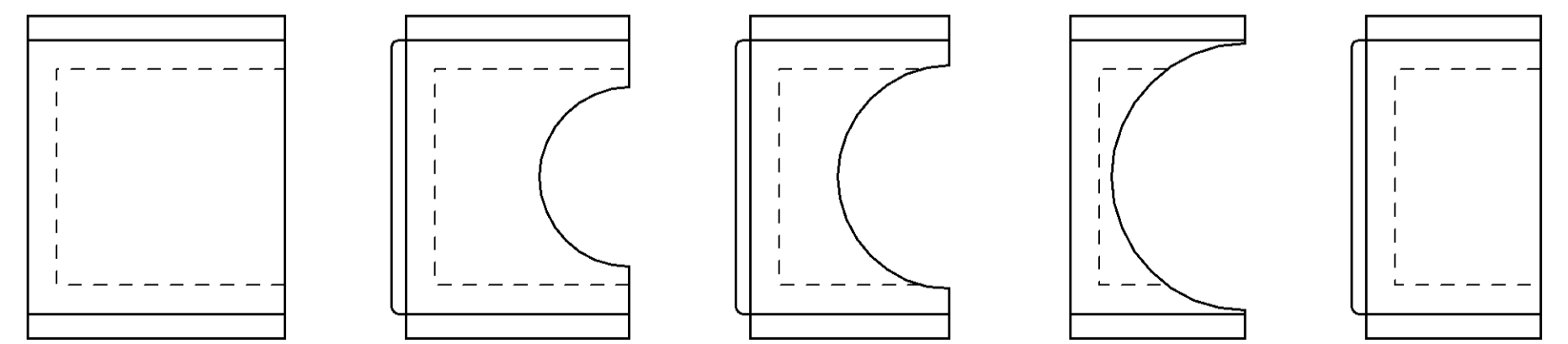
LOC		DIST		P		F		REVISIONS			
BD	48			ZONE	LTR	DESCRIPTION	DATE	APPD			
					D	REV PER EC 0020-1140-95	19 DEC 95	JS			
					E	OBSOLETE -2 PER EC 0020-779-95	03 FEB 96	CS			



- PARTS PACKAGED UNASSEMBLED.
  - CABLE GATES ARE INTERCHANGEABLE ALLOWING 90° & 180° CABLE EXIT.
- △ COMPONENTS INDIVIDUALLY BULK PACKED AND SHIPPED AS A UNIT PACKAGE KIT.



SIZE 5 CONNECTOR FOR REF ONLY



5-A BLANK GATE  
 5-B .395 DIA CABLE REF  
 5-C .475 DIA CABLE REF  
 5-D .490 DIA CABLE REF  
 5-E .350 DIA CABLE REF  
 GATES

UNLESS OTHERWISE SPECIFIED DIMENSIONS ARE IN INCHES TOLERANCES ON :  
 2 PL DEC ± -  
 3 PL DEC ± .005  
 ANGLES ± -

MATERIAL MOLDED PARTS: POLYPROPYLENE, COLOR: BLACK  
 SCREWS: STEEL PER ASTM A108

FINISH SCREWS: ZINC PHOSPHATE PER MIL-P-16232.

DR 09-16-86 S.WELDON	CHK 09-16-86 C.RICHARD	APPD 09-16-86 S.SCHEIFERLY
APPD 09-16-86 V.KUMAR	PRODUCT SPEC -	APPLICATION SPEC -
WEIGHT -		

SLOTTED	△	207476-4
SLOTTED	AS SHOWN	207476-3
CROSS-RECESSED	△	207476-2
CROSS-RECESSED	AS SHOWN	207476-1
SCREW VERSION	PACKAGING	PART NUMBER

<b>AMP</b> AMP INCORPORATED Harrisburg, Pa. 17105		
NAME CABLE CLAMP KIT, SIZE 5, ONE PIECE, 90° & 180° EXIT, AMPLIMITE®		
SIZE <b>C</b>	FSCM NO 00779	DRAWING NO 207476
SCALE NTS	SHEET 1 OF 1	